

A close-up photograph of a metal clamp tool, likely used for automotive work. The tool is made of polished metal and has a black plastic handle. The handle has a circular opening with a radial pattern. The number "2309283" is engraved on the handle. The tool is shown from a side-on perspective, highlighting its cylindrical shape and the handle's attachment point.

# ***CLAMP*Line**



# WORKING FOR YOUR SUCCESS

Since 1952



HELION TOOLS S.L. is owned by Molins family with more than 70 years of experience in the machining industry. *HELION TOOLS S.L. es una empresa propiedad de la Familia Molins con más de 70 años de experiencia en el sector del mecanizado.*

### **They offer solutions and collaborate back-to-back with their partners.**

Since its foundation in 1952, it has grown continuously with the attitude and business philosophy of: "We work for your success". The success of its customers is Helion's number one priority.

**Specialist in the manufacturing of cutting tools** within its main market segment: endmills, drills and taps in the production facility in Manresa – Spain, a wholly-owned cutting tools production site at full capacity to serve both nationally and to another 23 countries.

**Cutting tools in stock and its flexibility in producing** translates into immediate deliveries of purchase orders.

Thanks to its means of production, Helion Tools can ensure an optimal and agile service level to meet supply needs. Helion Tools brand guarantees products are developed, tested and commercialized with its factory.

### **Helion Tools is a relationship-driven company.**

In its opinion, the most important resource is people. This is remarked and identifies its business culture while guaranteeing a solid foundation for its future.

Upright behavior is a deep-rooted value among Helion Tools. It is the commitment from both the company and its partners to carry out a fair competition within the market under the premise of respect, equity and forging their own future.

**Nowadays, there must be a sense of great responsibility** towards society and the environment. They are convinced that the only way to be successful in the long term is to take always this factor into account. For this reason, Helion Tools uses natural resources in an efficient way, avoids contaminating and disposes of waste in an adequate manner.

**"Each obstacle is a new challenge that encourages us to keep growing as we remain in the vanguard of state-of-the-art technologies, changing automation processes and the passion that keeps as all together for the mechanization sector...let's move forward together!"** Josep Ma. Molins Pujol - President

AUSTRALIA / BELGIUM / CHINA / CZECH REPUBLIC / DENMARK / FINLAND / FRANCE / GREECE / HUNGARY  
 / INDIA / ISRAEL / ITALY / MEXICO / MOROCCO / NETHERLANDS / POLAND / PORTUGAL / ROMANIA /  
 SLOVAKIA / SLOVENIA / SPAIN / TUNISIA / UNITED ARAB EMIRATES



Production facility located in Manresa – Spain, a wholly-owned cutting tools production site at full capacity to serve both nationally and to another 23 countries. *Planta de producción en Manresa – España, una producción propia de herramientas a pleno rendimiento en diferentes sectores industriales del país y una red de distribuidores con presencia en 23 países.*

**Ofrece soluciones y acompaña a sus colaboradores en el proceso.** Desde su fundación en el año 1952, ha crecido continuamente con la actitud de su filosofía de negocio: “Trabajamos para su éxito”. El triunfo de sus clientes es lo mejor que les puede pasar.

**Especialistas en la fabricación de herramientas de corte** en su segmento principal de fresas, brocas y herramientas de roscar en la planta de producción en Manresa – España, una producción propia de herramientas a pleno rendimiento en diferentes sectores industriales del país y una red de distribuidores con presencia en 23 países.

**Herramientas en stock y flexibilidad en la producción** que se traduce en la entrega inmediata de las órdenes de pedido. Disponen de medios de producción propios que aseguran un óptimo nivel de servicio y agilidad en el suministro. La marca Helion Tools, es 100% garante de productos desarrollados, probados y comercializados en su fábrica.

**Helion Tools es una empresa cercana** y convencida que el recurso más importante son las personas,

hecho que identifica a su cultura empresarial y les garantiza una sólida base de futuro.

**La conducta íntegra tiene para Helion Tools un gran valor**, es su compromiso y el de sus colaboradores llevar a cabo una competencia leal en el mercado bajo la premisa de respeto, equidad y proyección de futuro.

**Conscientes que hoy más que nunca tienen una gran responsabilidad** frente a la sociedad y el medio ambiente al estar convencidos de que el éxito a largo plazo dependerá de ello, de esta manera, disponen de los recursos naturales de forma eficiente, previniendo la contaminación y gestionando los residuos de forma adecuada.

**“Cada dificultad es un nuevo reto que nos proyecta a continuar creciendo al mantenernos a la vanguardia de las nuevas tecnologías, crecientes procesos de automatización y la pasión que nos une por el sector del mecanizado... avancemos juntos!” Josep Ma. Molins Pujol - Presidente**

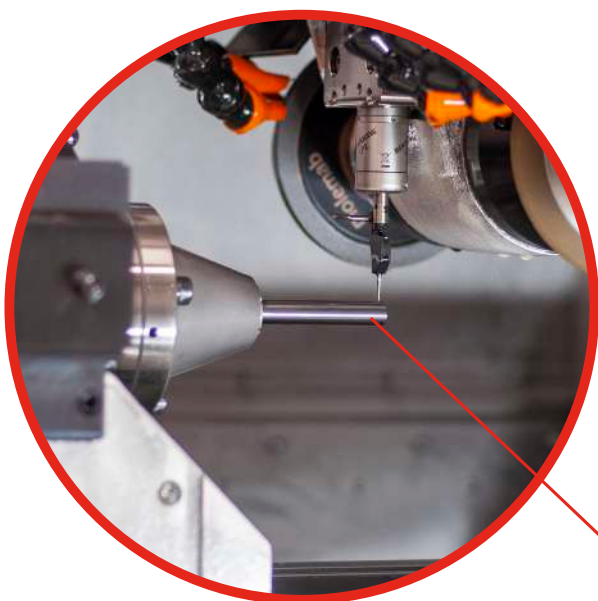




# High Quality Tools, high performance and reliability

*Herramientas de alta calidad, alto rendimiento y confiabilidad.*

**Development and production of precision tools** for different industry sectors and active participation in the global market with the main segment of EndMills, Drills and Taps. *Desarrollo y producción de herramientas de precisión para los diferentes sectores de la industria y participación en el mercado global con el segmento principal de fresas, brocas y machos de roscar.*



**High standards of quality and dimensional tolerance** allow them to obtain the best results in the machining processes in the automotive, aeronautical, construction, structural engineering, mold and die sectors. *Altos estándares de calidad y tolerancia dimensional les permiten obtener los mejores resultados en los procesos de mecanizado en sectores de la industria automotriz, aeronáutica, construcción, ingeniería estructural, molde y matriz.*

# Quality, Innovation and Service for a Higher Performance Production













*Calidad, Innovación y servicio para una producción con mayor rendimiento*

- ✓ High quality raw material  
*Materia prima de alta calidad*
- ✓ Latest technology applied to our coatings  
*Última tecnología en recubrimientos.*
- ✓ Maximum performance with optimized geometries  
*Rendimiento máximo con geometrías optimizadas.*
- ✓ High-precision manufacturing and quality control with state-of-the-art machines  
*Fabricación de alta precisión y control de calidad con máquinas de última tecnología.*
- ✓ Research and development in all our product categories  
*Investigación y desarrollo en todas las categorías de producto*
- ✓ Environmentally-friendly production, recycling as a commitment to the planet  
*Producción verde, el reciclaje como compromiso con el planeta.*



# CLAMP LINE INDEX

Índice de porta herramientas



Cod.	Picture	Description	Page
91404.WE 91504.WE		WELDON TOOLHOLDER DIN 6359 FOR END MILLS DIN 1835-B · FORM AD	8
91404.KR 91504.KR		POWER MILLING CHUCK	9
91404.ER 91504.ER		COLLET CHUCKS ER DIN 6499 · FORM AD	10
91404.AS 91504.AS		SHELL END MILL HOLDERS FOR CUTTERS WITH INTERNAL COOLANT DIN 6357	11
91404.GML 91504.GML		QUICK CHANGE TAPPING WITH LENGT COMPENSATION ON COMPRESSION AND EXPANSION · FORM A	12
91404.BF 91504.BF		NC DRILLS CHUCKS FOR CLOCKWISE AND COUNTER CLOCKWISE ROTATION · FORM AD	13
91406.WE 91506.WE		WELDON TOOLHOLDER DIN 6359 FOR END MILLS DIN 1835-B · FORM AD	14
91406.KR 91506.KR		POWER MILLING CHUCK	15
91406.ER 91506.ER		COLLET CHUCKS ER DIN 6499 · FORM AD	16
91406.AS 91506.AS		SHELL END MILL HOLDER WITH ENLARGED CONTACT FACE AND INTERNAL COOLANT DIN 6357 · FORM AD	17
91406.GML 91506.GML		QUICK CHANGE TAPPING WITH LENGT COMPENSATION ON COMPRESSION AND EXPANSION · FORM A	18
91406.BF 91506.BF		NC DRILLS CHUCKS FOR CLOCKWISE AND COUNTER CLOCKWISE ROTATION · FORM AD	19

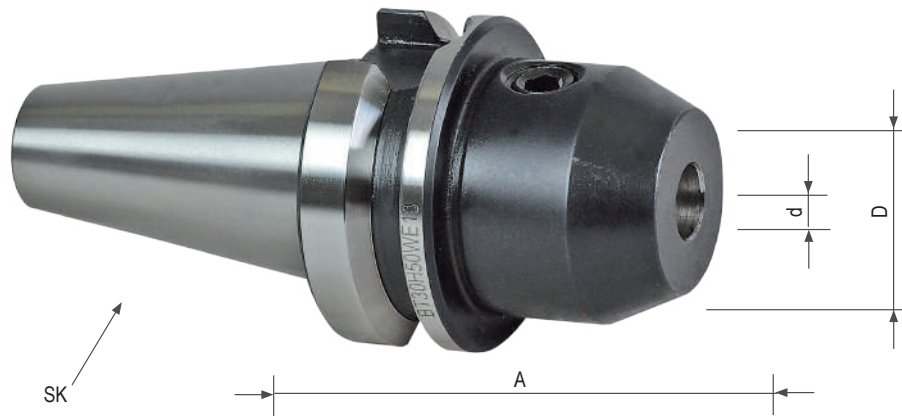
MAS/BT 403

DIN 69871

Cod.	Picture	Description	Page
ER25SC ER32SC 93ER16 93ER25 93ER32 93ER40		ER COLLET DIN 6499-B	20
93HPSC 93HPSC		HIGH POWER SEALED COLLETS 100% STEEL	22
93SATZER 93SATZER-UP		ER COLLET SET DIN 6499-B IN A WOODEN BOX	23
93GMS1 93GMS2		QUICK-CHANGE HEAD WITH SAFETY CLUTCH	25
93470.4352		PULL STUD DRILLED WITH O-RING DIN 69872-A	26
93470.444		PULL STUD MAS/BT SHORT DRILLED WITH O-RING DIN 69872	26
93470.4384		PULL STUD DRILLED WITH O-RING ISO 7388-2B	27
93470.444		PULL STUD MAS/BT DRILLED WITH O-RING	27
93470.43		PULL STUD DRILLED WITH O-RING ISO 7388-2A	28
93470-44		PULL STUD OTT DRILLED WITH INTERNAL THREAD DIN 2080	28
93660-42522		WRENCH FOR ER COLLET CHUCKS	29
93620.42522		CLAMPING NUT FOR ER COLLET CHUCKS	29

## MAS/BT 403 WELDON TOOLHOLDER DIN 6359 FOR END MILLS DIN 1835-B

 Portaherramientas Weldon DIN 6359 para fresas DIN 1835-B  
 DIN 1835-B parçali frezeler için DIN 6359 weldon takım tutucu



Holder type

MAS  
BT

Concentricity



Balanced



Form AD





### Information / Spare parts - Información / Recambios

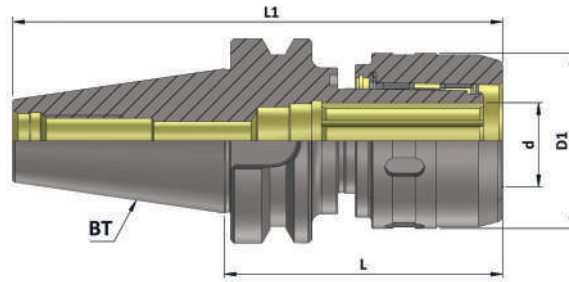


Cod.	SK	d	A (L)	D	Clamping Screw	Kg
91404.WE106050	BT 40	6	50	25	M 6	1,1
91404.WE108050	BT 40	8	50	28	M 8	1,1
91404.WE110063	BT 40	10	63	35	M 10	1,2
91404.WE112063	BT 40	12	63	42	M 12	1,3
91404.WE114063	BT 40	14	63	44	M 12	1,3
91404.WE116063	BT 40	16	63	48	M 14	1,4
91404.WE118063	BT 40	18	63	50	M 14	1,4
91404.WE120063	BT 40	20	63	52	M 16	1,4
91404.WE125090	BT 40	25	90	65	M 18x2	2,2
91404.WE132100	BT 40	32	100	72	M 20x2	2,7
91404-WE140105	BT 40	40	105	80	M 20x 2	2,8
91504.WE106063	BT 50	6	63	25	M 6	3,7
91504.WE108063	BT 50	8	63	28	M 8	3,8
91504.WE110080	BT 50	10	80	35	M 10	3,8
91504.WE112080	BT 50	12	80	42	M 12	4,0
91504.WE114080	BT 50	14	80	44	M 12	4,0
91504.WE116080	BT 50	16	80	48	M 14	4,0
91504.WE118080	BT 50	18	80	50	M 14	4,0
91504.WE120080	BT 50	20	80	52	M 16	4,1
91504.WE125100	BT 50	25	100	65	M 18x2	4,7
91504.WE132105	BT 50	32	105	72	M 20x2	5,1
91504.WE140115	BT 50	40	115	80	M 20x2	5,3



# MAS/BT 403 POWER MILLING CHUCK

-  Portapinzas de gran apriete
-  Güçlü freze aynası



Holder type

**MAS  
BT**

Concentricity

**>0,003<**

Balanced

**G 6.3  
15000  
RPM**

Form AD




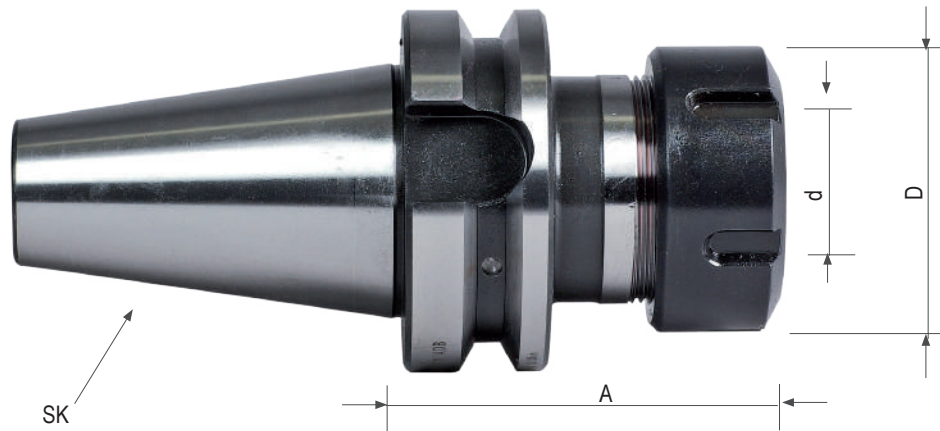
## Information / Spare parts - Información / Recambios



Cod.	SK	d	A (L)	D1	L1	Kg
91404.KR120080	BT 40	20	80	54	145	1,3
91404.KR132090	BT 40	32	90	74	155	1,2
91504.KR120105	BT 50	20	105	54	212	2,3
91504.KR132105	BT 50	32	105	74	212	2,3

## MAS/BT 403 COLLET CHUCKS ER DIN 6499

-  Portapinzas ER DIN 6499
-  Collet aynalari ER DIN 6499



- Holder type 
- Concentricity 
- Balanced 
- Form AD 

### Information / Spare parts - Información / Recambios

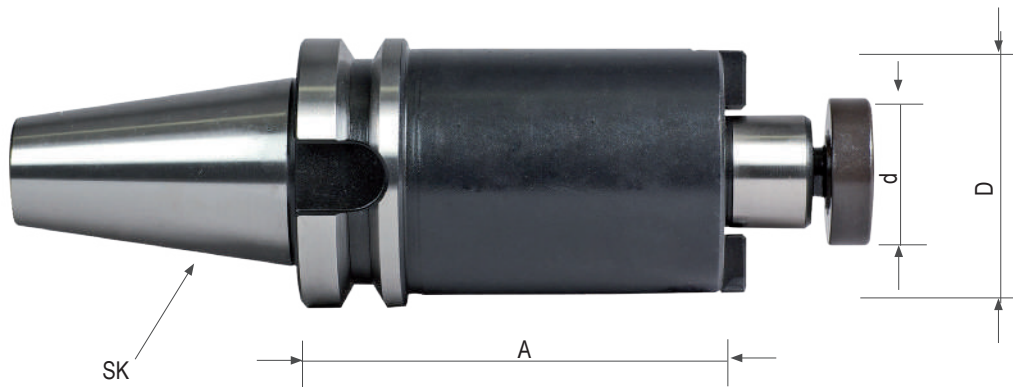


Cod.	SK	d	A (L)	D	Range	Stop Screw	Kg
91404.ER116070	BT 40	ER 16	70	32	1-10	M 10x1	1,1
91404.ER116100	BT 40	ER 16	100	32	1-10	M 10x1	1,2
91404.ER116160	BT 40	ER 16	160	32	1-10	M 10x1	1,6
91404.ER125070	BT 40	ER 25	70	42	1-16	M 18x1	1,2
91404.ER125100	BT 40	ER 25	100	42	1-16	M 18x1	1,3
91404.ER125160	BT 40	ER 25	160	42	1-16	M 18x1	1,6
91404.ER132070	BT 40	ER 32	70	50	2-20	M 22x1,5	1,2
91404.ER132100	BT 40	ER 32	100	50	2-20	M 22x1,5	1,4
91404.ER132160	BT 40	ER 32	160	50	2-20	M 22x1,5	1,9
91404.ER140070	BT 40	ER 40	70	63	3-26	M 30x1,5	1,2
91404.ER140100	BT 40	ER 40	100	63	3-26	M 30x1,5	1,8
91404.ER140160	BT 40	ER 40	160	63	3-26	M 30x1,5	2,4
91504.ER216100	BT 50	ER 16	100	32	1-10	M 10x1	3,7
91504.ER225100	BT 50	ER 25	100	42	1-16	M 18x1	3,8
91504.ER232100	BT 50	ER 32	100	50	2-20	M 22x1,5	3,9
91504.ER240100	BT 50	ER 40	100	63	3-26	M 30x1,5	4,3

# MAS/BT 403 SHELL END MILL HOLDER FOR CUTTERS WITH INTERNAL COOLANT DIN 6357

Portafresas con chaveta frontal y refrigeración interior DIN 6357

Din 6357 iç soğutma suyu ile kesiciler için shell freze tutucu



Holder type

MAS  
BT

Concentricity

>0,003

Balanced

G 6.3  
15000  
RPM

Form AD+B



## Information / Spare parts - Información / Recambios




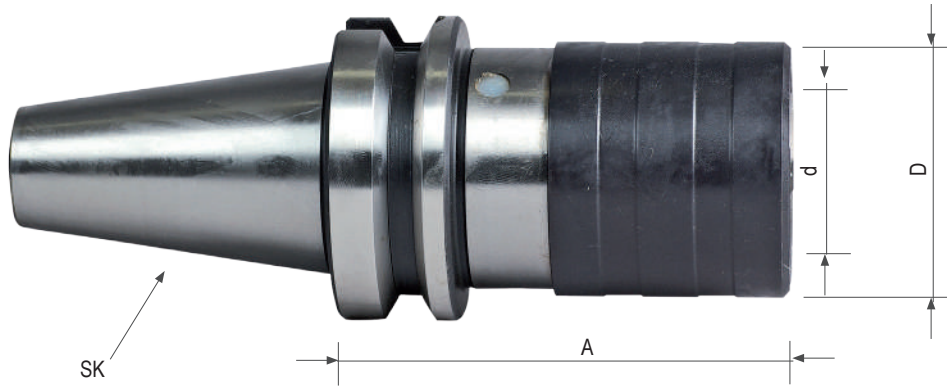
Cod.	SK	d	A (L)	D1	L2	Kg
91404.AS316045	BT 40	16	45	38	17	1,0
91404.AS316100	BT 40	16	100	38	17	1,3
91404.AS316160	BT 40	16	160	38	17	1,6
91404.AS322045	BT 40	22	45	48	19	1,2
91404.AS322100	BT 40	22	100	48	19	1,4
91404.AS322160	BT 40	22	160	48	19	1,6
91404.AS327045	BT 40	27	45	58	21	1,2
91404.AS327100	BT 40	27	100	58	21	1,4
91404.AS332050	BT 40	32	50	78	24	1,4
91404.AS332100	BT 40	32	100	78	24	1,7
91404.AS340055	BT 40	40	55	88	27	2,0
91404.AS340100	BT 40	40	100	88	27	2,4

Cod.	SK	d	A (L)	D1	L2	Kg
91504.AS316060	BT 50	16	60	38	17	3,7
91504.AS316100	BT 50	16	100	38	17	4,0
91504.AS316160	BT 50	16	160	38	17	5,1
91504.AS322060	BT 50	22	60	48	19	3,8
91504.AS322100	BT 50	22	100	48	19	4,0
91504.AS322160	BT 50	22	160	48	19	6,0
91504.AS327060	BT 50	27	60	58	21	3,9
91504.AS327100	BT 50	27	100	58	21	4,3
91504.AS327160	BT 50	27	160	58	21	6,1
91504.AS332060	BT 50	32	60	78	24	4,1
91504.AS332100	BT 50	32	100	78	24	4,3
91504.AS332160	BT 50	32	160	78	24	6,9
91504.AS340060	BT 50	40	60	88	27	4,5
91504.AS340100	BT 50	40	100	88	27	4,7
91504.AS340160	BT 50	40	160	88	27	7,8

## MAS/BT 403 QUICK CHANGE TAPPING WITH LENGT COMPENSATION ON COMPRESSION AND EXPANSION

 Roscador de cambio rápido – doble compensación axial

 Sıkıştırma ve genişleme üzerinde uzunluk tazminatlı hızlı değişim kılavuzu



Holder type

MAS  
BT

Form A



Axial





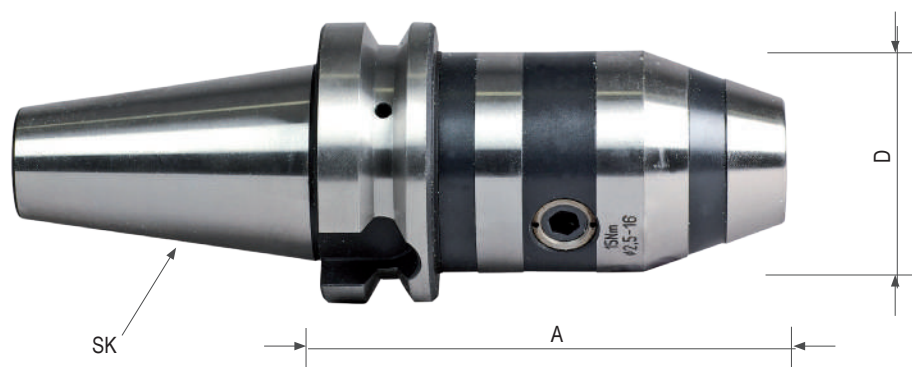
### Information / Spare parts - Información / Recambios



Cod.	SK	Size	A	D	d	M	Kg
91404.GMLOGR1	BT 40	1	60	36	19	M3-M12	1,2
91404.GMLOGR2	BT 40	2	98	53	31	M6-M27	1,3
91504.GMLOGR1	BT 50	1	77	36	19	M3-M12	4,0
91504.GMLOGR2	BT 50	2	102,5	53	31	M6-M27	4,3

# MAS/BT 403 NC DRILLS CHUCKS FOR CLOCKWISE AND COUNTER CLOCKWISE ROTATION

 Portabrocas integral CNC para giro a derecha e izquierda  
 Saat yönünde ve saat yönünde dönüş için nc matkap aynalari



Holder type

MAS  
BT

Concentricity

  
 >0,003

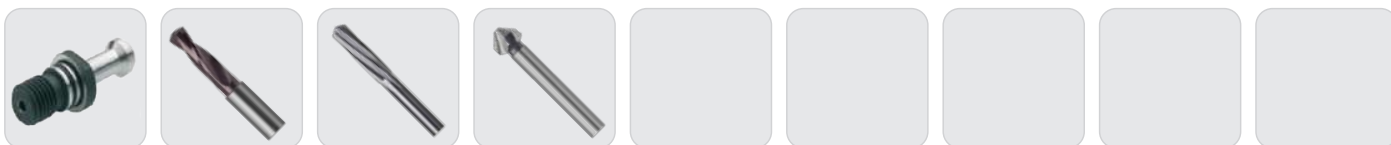
Balanced

  
 G 6.3  
 15000  
 RPM

Form AD



## Information / Spare parts - Información / Recambios




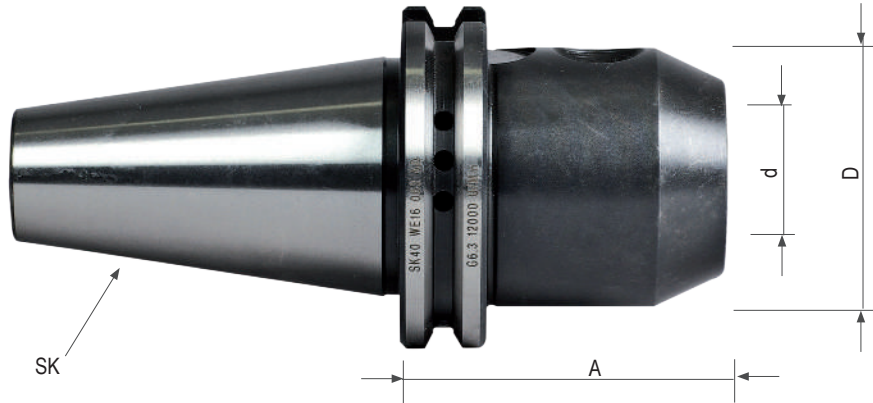
Cod.	SK	Range d	A	D	Kg
91404.BF2113	BT 40	1-13	81	50	1,8
91404.BF2316	BT 40	3-16	88	57	1,9
91504.BF2113	BT 50	1-13	90	50	4,5
91504.BF2316	BT 50	3-16	95	57	4,6

## DIN 69871

## WELDON TOOLHOLDER DIN 6359 FOR END MILLS DIN 1835-B

 Portaherramientas Weldon DIN 6359 para fresas DIN 1835-B

 DIN 1835-B parçali frezeler için DIN 6359 weldon takım tutucu



Holder type

**DIN  
69871**

Concentricity



Balanced



Form AD





### Information / Spare parts - Información / Recambios

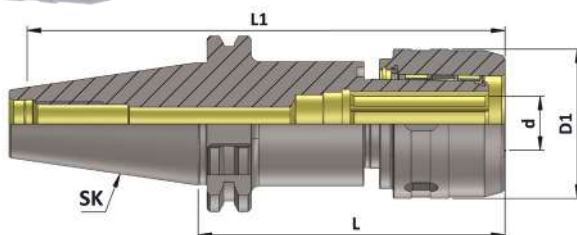


Cod.	SK	d	A (L)	D1	Clamping Screw	Kg
91406.WE106050	SK 40	6	50	25	M 6	0,9
91406.WE108050	SK 40	8	50	28	M 8	1,0
91406.WE110050	SK 40	10	50	35	M 10	1,0
91406.WE112050	SK 40	12	50	42	M 12	1,1
91406.WE114050	SK 40	14	50	44	M 12	1,1
91406.WE116063	SK 40	16	63	48	M 14	1,3
91406.WE118063	SK 40	18	63	50	M 14	1,3
91406.WE120063	SK 40	20	63	52	M 16	1,3
91406.WE125100	SK 40	25	100	65	M 18x2	2,3
91406.WE132100	SK 40	32	100	72	M 20x2	2,5
91406.WE140115	SK 40	40	115	80	M 20x2	3,3

Cod.	SK	d	A (L)	D1	Clamping Screw	Kg
91506.WE106063	SK 50	6	63	25	M 6	2,8
91506.WE108063	SK 50	8	63	28	M 8	2,8
91506.WE110063	SK 50	10	63	35	M 10	2,9
91506.WE112063	SK 50	12	63	42	M 12	3,0
91506.WE114063	SK 50	14	63	44	M 12	3,0
91506.WE116063	SK 50	16	63	48	M 14	3,1
91506.WE118063	SK 50	18	63	50	M 14	3,1
91506.WE120063	SK 50	20	63	52	M 16	3,1
91506.WE125080	SK 50	25	80	65	M 18x2	3,8
91506.WE132100	SK 50	32	100	72	M 20x2	4,5
91506.WE140120	SK 50	40	120	80	M 20x2	5,0

# DIN 69871 POWER MILLING CHUCK

 Portapinzas de gran apriete  
 Güçlü freze aynası



Holder type

DIN  
69871

Concentricity

  
 >0,003<

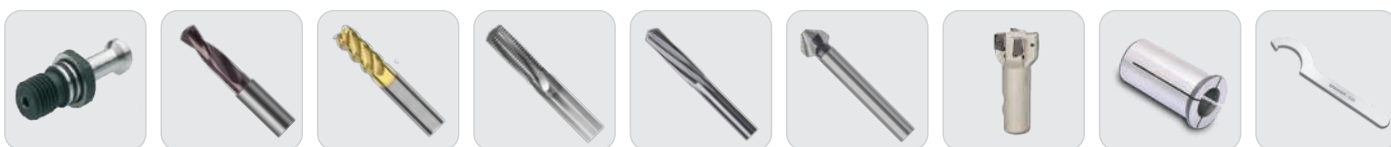
Balanced

  
 G 6.3  
 15000  
 RPM

Form AD


  
 CENTRAL  
 COOLING

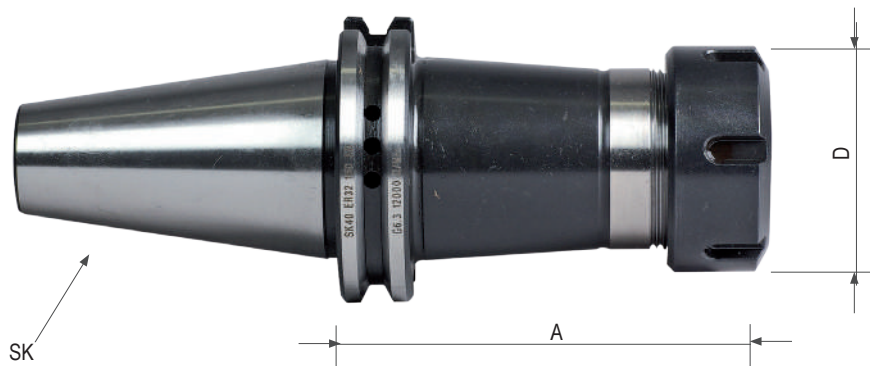
## Information / Spare parts - Información / Recambios







Cod.	SK	d	A (L)	D1	L1	Kg
91406.KR120105	SK 40	20	105	54	173	1,4
91406.KR132105	SK 40	32	105	72	173	1,4
91506.KR120105	SK 50	20	105	54	206	2,4
91506.KR132105	SK 50	32	105	72	206	2,4

## DIN 69871 COLLET CHUCKS ER DIN 6499

-  Portapinzas ER DIN 6499
-  Collet aynalari ER DIN 6499



- Holder type 
- Concentricity 
- Balanced 
- Form 

### Information / Spare parts - Información / Recambios



Cod.	SK	ER	A (L)	D1	Clamping Range	Stop Screw	Kg
91406.ER116070	SK 40	ER 16	70	32	1-10	M10X1	0,9
91406.ER116100	SK 40	ER 16	100	32	1-10	M10X1	1,1
91406.ER116160	SK 40	ER 16	160	32	1-10	M10X1	1,5
91406.ER125070	SK 40	ER 25	70	42	2-16	M18X1	1,0
91406.ER125100	SK 40	ER 25	100	42	2-16	M18X1	1,1
91406.ER125160	SK 40	ER 25	160	42	2-16	M18X1	1,7
91406.ER132070	SK 40	ER 32	70	50	2-20	M22X1,5	1,0
91406.ER132100	SK 40	ER 32	100	50	2-20	M22X1,5	1,3
91406.ER132160	SK 40	ER 32	160	50	2-20	M22X1,5	1,8
91406.ER140070	SK 40	ER 40	70	63	3-26	M30X1,5	1,2
91406.ER140100	SK 40	ER 40	100	63	3-26	M30X1,5	1,7
91406.ER140160	SK 40	ER 40	160	63	3-26	M30X1,5	2,5

Cod.	SK	ER	A (L)	D1	Clamping Range	Stop Screw	Kg
91506.ER116100	SK 50	ER 16	100	32	1-10	M10X1	2,9
91506.ER125100	SK 50	ER 25	100	42	1-16	M18X1	3,1
91506.ER132100	SK 50	ER 32	100	50	2-20	M22X1,5	3,2
91506.ER140100	SK 50	ER 40	100	63	3-26	M30X1,5	3,4

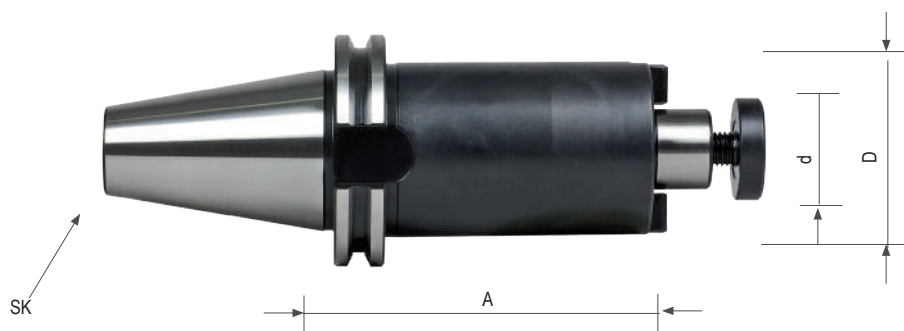


# DIN 69871

## SHELL END MILL HOLDER WITH ENLARGED CONTACT FACE AND INTERNAL COOLANT DIN 6357

Portafresas con chaveta frontal y refrigeración interior DIN 6357

Büyük kontak yüzü ve dahili soğutma suyu DIN 6357 ile shell parça freze TUTUCU



Holder type

DIN  
69871

Concentricity

>0,003<

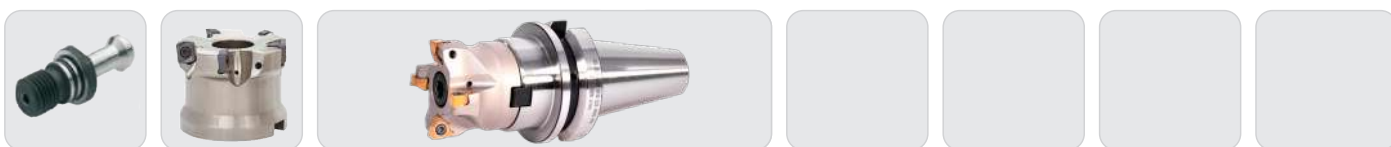
Balanced

G 6.3  
15000  
RPM

Form



### Information / Spare parts - Información / Recambios




Cod.	SK	d	A (L)	D1	L2	Kg
91406.AS316045	SK 40	16	45	38	17	1,0
91406.AS322045	SK 40	22	45	48	19	1,1
91406.AS322100	SK 40	22	100	48	19	1,6
91406.AS327050	SK 40	27	50	58	21	1,1
91406.AS327100	SK 40	27	100	58	21	1,9
91406.AS332055	SK 40	32	55	78	24	1,7
91406.AS340055	SK 40	40	55	88	27	1,9

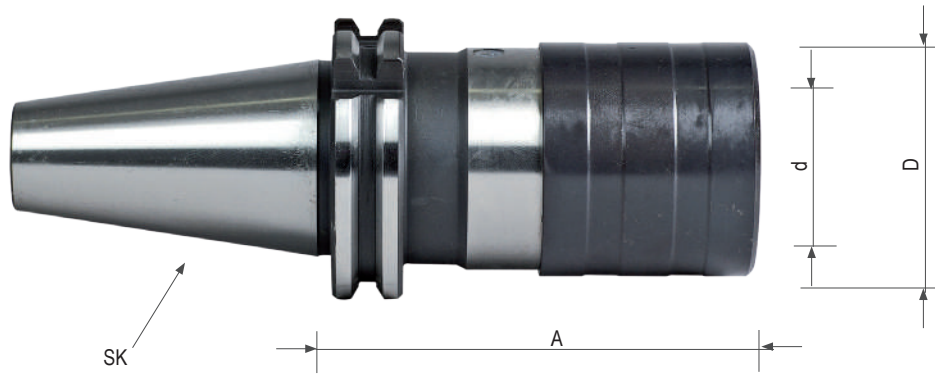
Cod.	SK	d	A (L)	D1	L2	Kg
91506.AS316045	SK 50	16	45	38	17	2,8
91506.AS322045	SK 50	22	45	48	19	2,9
91506.AS322100	SK 50	22	100	48	19	3,6
91506.AS327045	SK 50	27	45	58	21	3,1
91506.AS327100	SK 50	27	100	58	21	4,1
91506.AS332050	SK 50	32	50	78	24	3,9
91506.AS340055	SK 50	40	55	88	27	4,1

## DIN 69871

### QUICK CHANGE TAPPING WITH LENGT COMPENSATION ON COMPRESSION AND EXPANSION

 Roscador de cambio rápido – doble compensación axial

 Sıkıştırma ve genişleme üzerinde uzunluk tazminatli hızlı değişim kılavuzu



Holder type

MAS  
BT

Form A



Axial



#### Information / Spare parts - Información / Recambios

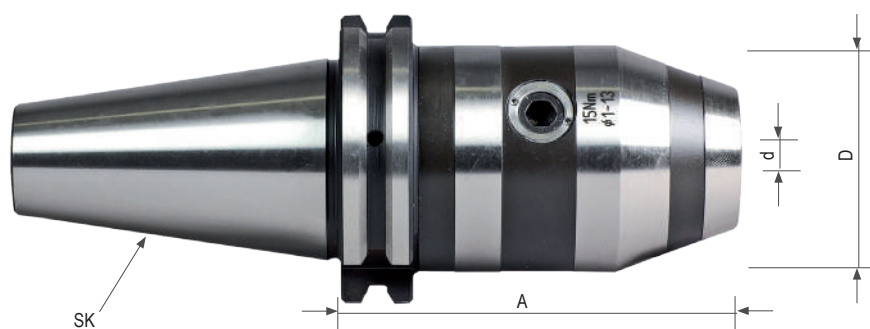


Cod.	SK	Size	A (L)	D1	d	M	Kg
91406.GMLOGR1	SK 40	1	60	36	19	M3-M12	0,8
91406.GMLOGR2	SK 40	2	98	53	31	M6-M27	1,8
91506.GMLOGR1	SK 50	1	60	36	19	M3-M12	2,6
91506.GMLOGR2	SK 50	2	84	53	31	M6-M27	3,6

# DIN 69871

## NC DRILLS CHUCKS FOR CLOCKWISE AND COUNTER CLOCKWISE ROTATION

Portabrocas integral CNC para giro a derecha e izquierda  
Saat yönünde ve saat yönünde dönüş için nc matkap aynalari



Holder type

DIN  
69871

Concentricity

>0,003<

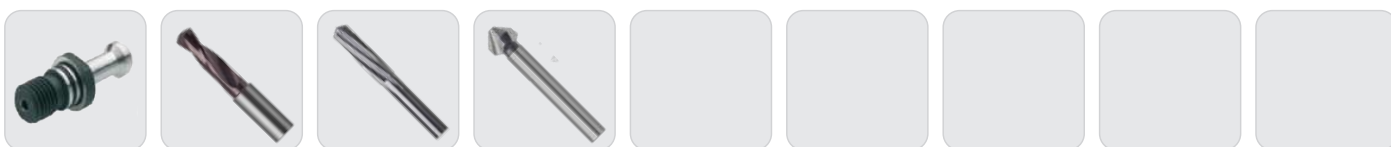
Balanced

G 6.3  
15000  
RPM

Form AD



### Information / Spare parts - Información / Recambios



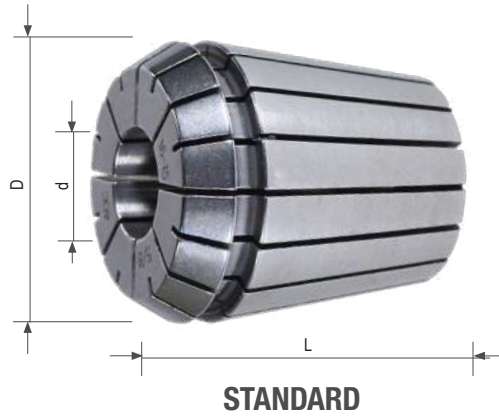
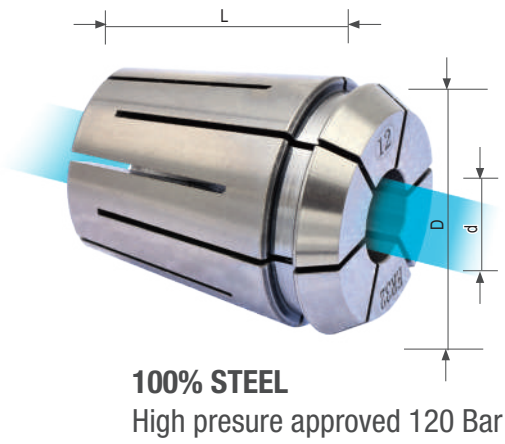
Cod.	SK	Clamping	A (L)	D	Kg
91406.BF2113	SK 40	1-13	81	50	1,6
91406-BF2316	SK 40	3-16	88	57	2,2
91506.BF2113	SK 50	1-13	90	50	3,4
91506-BF2316	SK 50	3-16	95	57	3,5

## ACCESSORIES

## ER COLLET DIN 6499-B

 Pinzas ER DIN 6499-B

 Er collet din 6499-b



Holder type

**DIN  
6499**

Concentricity



### Information / Spare parts - Información / Recambios



### SEALED 100% STEEL

Cod.	Size	d	D1	L	Kg
ER25SC0600	ER 25	6	26	35	0,09
ER25SC0800	ER 25	8	26	35	0,09
ER25SC1000	ER 25	10	26	35	0,09
ER25SC1200	ER 25	12	26	35	0,09
ER25SC1400	ER 25	14	26	35	0,09
ER25SC1600	ER 25	16	26	35	0,09

Cod.	Size	d	D1	L	Kg
ER32SC0600	ER 32	6	33	40	0,12
ER32SC0800	ER 32	8	33	40	0,12
ER32SC1000	ER 32	10	33	40	0,12
ER32SC1200	ER 32	12	33	40	0,12
ER32SC1400	ER 32	14	33	40	0,12
ER32SC1600	ER 32	16	33	40	0,12
ER32SC1800	ER 32	18	33	40	0,12
ER32SC2000	ER 32	20	33	40	0,12

## STANDARD

Cod.	Size	d	D1	L	Kg
93ER16.1,0	ER 16-426 E	1,0	17	27,5	0,07
93ER16.2,0	ER 16-426 E	2,0	17	27,5	0,07
93ER16.3,0	ER 16-426 E	3,0	17	27,5	0,07
93ER16.4,0	ER 16-426 E	4,0	17	27,5	0,07
93ER16.5,0	ER 16-426 E	5,0	17	27,5	0,07
93ER16.6,0	ER 16-426 E	6,0	17	27,5	0,07
93ER16.7,0	ER 16-426 E	7,0	17	27,5	0,07
93ER16.8,0	ER 16-426 E	8,0	17	27,5	0,07
93ER16.9,0	ER 16-426 E	9,0	17	27,5	0,07
93ER16.10,0	ER 16-426 E	10,0	17	27,5	0,07

Cod.	Size	d	D1	L	Kg
93ER25.1,0	ER 25-430 E	1,0-0,5	26	34	0,09
93ER25.2,0	ER 25-430 E	2,0-1,0	26	34	0,09
93ER25.3,0	ER 25-430 E	3,0-2,0	26	34	0,09
93ER25.4,0	ER 25-430 E	4,0-3,0	26	34	0,09
93ER25.5,0	ER 25-430 E	5,0-6,0	26	34	0,09
93ER25.6,0	ER 25-430 E	6,0-7,0	26	34	0,09
93ER25.7,0	ER 25-430 E	7,0-8,0	26	34	0,09
93ER25.8,0	ER 25-430 E	8,0-7,0	26	34	0,09
93ER25.9,0	ER 25-430 E	9,0-8,0	26	34	0,09
93ER25.10,0	ER 25-430 E	10,0-9,0	26	34	0,09
93ER25.11,0	ER 25-430 E	11,0-10,0	26	34	0,09
93ER25.12,0	ER 25-430 E	12,0-11,0	26	34	0,09
93ER25.13,0	ER 25-430 E	13,0-12,0	26	34	0,09
93ER25.14,0	ER 25-430 E	14,0-13,0	26	34	0,09
93ER25.15,0	ER 25-430 E	15,0-14,0	26	34	0,09
93ER25.16,0	ER 25-430 E	16,0-15,0	26	34	0,09

Cod.	Size	d	D1	L	Kg
93ER32.2,0	ER 32-470 E	2,0-1,0	33	40	0,12
93ER32.3,0	ER 32-470 E	3,0-2,0	33	40	0,12
93ER32.4,0	ER 32-470 E	4,0-3,0	33	40	0,12
93ER32.5,0	ER 32-470 E	5,0-4,0	33	40	0,12
93ER32.6,0	ER 32-470 E	6,0-5,0	33	40	0,12
93ER32.7,0	ER 32-470 E	7,0-6,0	33	40	0,12
93ER32.8,0	ER 32-470 E	8,0-7,0	33	40	0,12
93ER32.9,0	ER 32-470 E	9,0-8,0	33	40	0,12
93ER32.10,0	ER 32-470 E	10,0-9,0	33	40	0,12
93ER32.11,0	ER 32-470 E	11,0-10,0	33	40	0,12
93ER32.12,0	ER 32-470 E	12,0-11,0	33	40	0,12
93ER32.13,0	ER 32-470 E	13,0-12,0	33	40	0,12
93ER32.14,0	ER 32-470 E	14,0-13,0	33	40	0,12
93ER32.15,0	ER 32-470 E	15,0-14,0	33	40	0,12
93ER32.16,0	ER 32-470 E	16,0-15,0	33	40	0,12
93ER32.17,0	ER 32-470 E	17,0-16,0	33	40	0,12
93ER32.18,0	ER 32-470 E	18,0-17,0	33	40	0,12
93ER32.19,0	ER 32-470 E	19,0-18,0	33	40	0,12
93ER32.20,0	ER 32-470 E	20,0-19,0	33	40	0,12

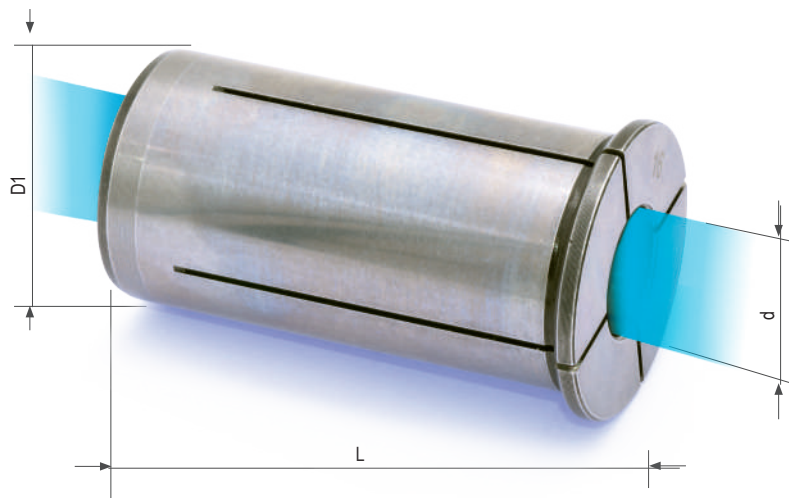
Cod.	Size	d	D1	L	Kg
93ER40.3,0	ER 40-472 E	3,0-2,0	41	46	0,15
93ER40.4,0	ER 40-472 E	4,0-3,0	41	46	0,15
93ER40.5,0	ER 40-472 E	5,0-4,0	41	46	0,15
93ER40.6,0	ER 40-472 E	6,0-5,0	41	46	0,15
93ER40.7,0	ER 40-472 E	7,0-6,0	41	46	0,15
93ER40.8,0	ER 40-472 E	8,0-7,0	41	46	0,15
93ER40.9,0	ER 40-472 E	9,0-2,8	41	46	0,15
93ER40.10,0	ER 40-472 E	10,0-9,0	41	46	0,15
93ER40.11,0	ER 40-472 E	11,0-10,0	41	46	0,15
93ER40.12,0	ER 40-472 E	12,0-11,0	41	46	0,15
93ER40.13,0	ER 40-472 E	13,0-12,0	41	46	0,15
93ER40.14,0	ER 40-472 E	14,0-13,0	41	46	0,15
93ER40.15,0	ER 40-472 E	15,0-14,0	41	46	0,15
93ER40.16,0	ER 40-472 E	16,0-15,0	41	46	0,15
93ER40.17,0	ER 40-472 E	17,0-16,0	41	46	0,15
93ER40.18,0	ER 40-472 E	18,0-17,0	41	46	0,15
93ER40.19,0	ER 40-472 E	19,0-18,0	41	46	0,15
93ER40.20,0	ER 40-472 E	20,0-19,0	41	46	0,15
93ER40.21,0	ER 40-472 E	21,0-20,0	41	46	0,15
93ER40.22,0	ER 40-472 E	22,0-21,0	41	46	0,15
93ER40.23,0	ER 40-472 E	23,0-22,0	41	46	0,15
93ER40.24,0	ER 40-472 E	24,0-23,0	41	46	0,15
93ER40.25,0	ER 40-472 E	25,0-24,0	41	46	0,15
93ER40.26,0	ER 40-472 E	26,0-25,0	41	46	0,15

## ACCESSORIES

## HIGH POWER SEALED COLLETS 100% STEEL

 Pinzas de gran apriete herméticas 100% acero

 Yüksek güç sızdırmaz kolletler %100 çelik



Holder type

**DIN  
6499**

Concentricity



### Information / Spare parts - Información / Recambios





Cod.	Size	d	L	Size	D1	kg
93HPSC.2006	20	6	52,5	20	20	0,15
93HPSC.2008	20	8	52,5	20	20	0,15
93HPSC.2010	20	10	52,5	20	20	0,15
93HPSC.2012	20	12	52,5	20	20	0,15
93HPSC.2014	20	14	52,5	20	20	0,15
93HPSC.2016	20	16	52,5	20	20	0,15

Cod.	Size	d	L	Size	D1	kg
93HPSC.3206	32	6	64,5	32	32	0,2
93HPSC.3208	32	8	64,5	32	32	0,2
93HPSC.3210	32	10	64,5	32	32	0,2
93HPSC.3212	32	12	64,5	32	32	0,2
93HPSC.3214	32	14	64,5	32	32	0,2
93HPSC.3216	32	16	64,5	32	32	0,2
93HPSC.3218	32	18	64,5	32	32	0,2
93HPSC.3220	32	20	64,5	32	32	0,2
93HPSC.3225	32	25	64,5	32	32	0,2

## ACCESSORIES

### ER COLLET SET DIN 6499-B IN A WOODEN BOX AND 1 MM INCREMENTS

-  Juego de pinzas ER DIN 6499-B en caja de madera e intervalos de 1 mm
-  Er collet takimi DIN 6499-B ahşap kutuda 1 mm artırmalarda



#### Standard grade

Cod.	Description	Size	No. collets	Kg
93SATZER16	Collets set ER16 Ø 1 - 10mm	ER 16	10	1,1
93SATZER25	Collets set ER25 Ø 2 - 16mm	ER 25	15	1,5
93SATZER32	Collets set ER32 Ø 3 - 20mm	ER 32	18	1,9
93SATZER40	Collets set ER40 Ø 4 - 26mm	ER 40	23	2,1



Concentricity

#### Ultra precision grade "AA"

Cod.	Description	Size	No. collets	Kg
93SATZER16UP	Collets set ER16 Ø 1 - 10mm	ER 16	10	1,1
93SATZER25UP	Collets set ER25 Ø 2 - 16mm	ER 25	15	1,5
93SATZER32UP	Collets set ER32 Ø 3 - 20mm	ER 32	18	1,9



Concentricity

## QUICK CHANGE TAPPING HEAD TABLE

Tabla adaptación portamachos de cambio rápido



mm x mm Ø x □	DIN 376 Slim shank mango delgado	DIN 371 Reinforced shank mango reforzado	Connection size / Tamaño		
			1 M3-M14	2 M8-M24	3 M14-M36
Rear Connection Diameter / Diámetro conexión posterior			Ø19	Ø31	Ø48
2,5 x 2,1	M: 3,5	M: 1/1,1 / 1,2 / 1,6 / 1,7/ 1,8	○		
2,8 x 2,1	M: 3,5	M: 2 / 2,2 / 2,5 / 2,6	○		
3,5 x 2,7	M: 4,5 / 5	M: 3	●		
4 x 3	M:-----	M: 3,5	●		
4,5 x 3,4	M: 6	M: 4	●	○	
5,5 x 4,3	M: 7	M: -----	●	○	
6 x 4,9	M: 8	M: 4,5 / 5 / 6	●	○	
7 x 5,5	M: 9/10 G1/8	M: 7	○	○	
8 x 6,2	M: 11	M: 8	●	●	
9 x 7	M: 12	M: 9	●	●	
10 x 8	M:-----	M : 10	●	●	
11 x 9	M: 14 G1/4	M: -----	●	●	○
12 x 9	M: 16 G3/8	M: -----		●	○
14 x 11	M:18	M: -----		●	○
16 x 12	M: 20 G1/2	M: -----		●	○
18 x 14,5	M: 22/24 G5/8	M: -----		●	○
20 x 16	M: 27 G3/4	M: -----		●	○
22 x 18	M:30 G7/8	M: -----			○
25 x 20	M: 33 G1"	M: -----			○
28 x 22	M: 36	M: -----			○
32 x 24	M: 39/42	M: -----			
36 x 29	M: 45/48	M: -----			

● Available sizes / Medidas disponibles


○ On demand / Bajo pedido



## ACCESSORIES

## QUICK-CHANGE HEAD WITH SAFETY CLUTCH

 Portamachos de cambio rápido con embrague de seguridad

 Güvenlik debriyajlı hızlı değişim başlığı



### Information / Spare parts - Información / Recambios




Cod.	Size	M	Ø	□	d	D	L1	Kg
93GMS1.35M03371	1	M 3	3,5	2,7	19	32	25	0,6
93GMS1.45M04371	1	M 4	4,5	3,4	19	32	25	0,6
93GMS1.60M05371	1	M 5	6,0	4,9	19	32	25	0,6
93GMS1.60M06371	1	M 6	6,0	4,9	19	32	25	0,6
93GMS1.80M08371	1	M 8	8,0	6,2	19	32	25	0,6
93GMS1.10M10371	1	M 10	10,0	8,0	19	32	25	0,6
93GMS1.90M12376	1	M 12	9,0	7,0	19	32	25	0,6
93GMS1.11M14376	1	M 14	11,0	9,0	19	32	25	0,6

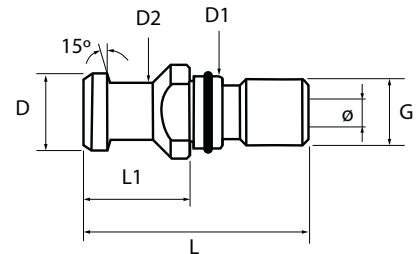
Cod.	Size	M	Ø	□	d	D	L1	Kg
93GMS2.80M08371	2	M 8	8,0	6,2	31	50	34	1,6
93GMS2.10M10371	2	M 10	10,0	8,0	31	50	34	1,6
93GMS2.90M12376	2	M 12	9,0	7,0	31	50	34	1,6
93GMS2.11M14376	2	M 14	11,0	9,0	31	50	34	1,6
93GMS2.12M16376	2	M 16	12,0	9,0	31	50	34	1,6
93GMS2.14M18376	2	M 18	14,0	11,0	31	50	34	1,6
93GMS2.16M20376	2	M 20	16,0	12,0	31	50	34	1,6
93GMS2.18M22376	2	M 22	18,0	14,5	31	50	34	1,6
93GMS2.18M24376	2	M 24	18,0	14,5	31	50	34	1,6
93GMS2.20M27376	2	M 27	20,0	16,0	31	50	34	1,6

## ACCESSORIES

### PULL STUD DRILLED WITH O-RING DIN 69872-A

 Tirante con agujero pasante y junta tórica DIN 69872-A

 DIN 69872-A o-ring ile delikli çekme saplama



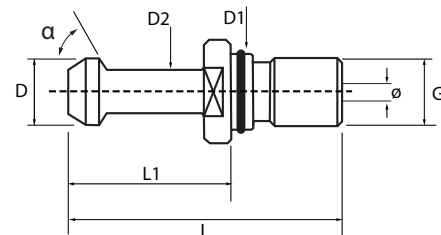
Cod.	ISO	G	$\alpha$	D	D1	D2	$\emptyset$	L	L1	Kg
93470.43527	SK 40	M16	15°	19	17	14	7	54	26	0,1
93470.43528	SK 50	M24	15°	28	25	21	11,5	74	34	0,25

## ACCESSORIES

### PULL STUD MAS/BT SHORT DRILLED WITH O-RING DIN 69872

 Tirante MAS/BT corto con agujero pasante y junta tórica DIN 69872

 DIN 69872 o-ring ile çekme saplama MAS/BT kısa delikli




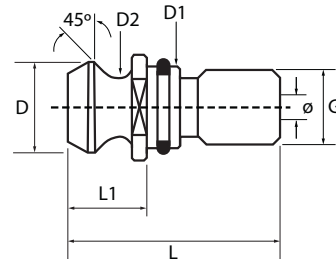
Cod.	ISO	G	$\alpha$	D	D1	D2	$\emptyset$	L	L1	Kg
93470.44434	BT 40	M16	60°	15	17	10	4	57	32	0,23
93470.44435	BT 40	M16	45°	15	17	10	4	57	32	0,23

## ACCESSORIES

### PULL STUD DRILLED WITH O-RING ISO 7388-2B

 Tirante con agujero pasante y junta tórica ISO 7388-2B

 O-ring ISO 7388-2B ile delikli çekme saplama



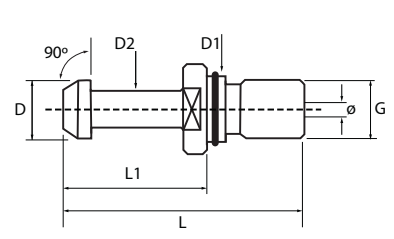
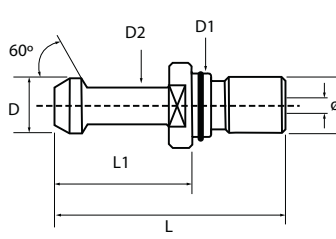
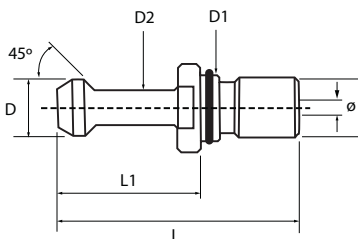
Cod.	ISO	G	D	D1	D2	ø	L	L1	Kg
93470.43843	BT 40	M16	18,9	17	12,9	7,3	44,5	16,4	0,15
93470.43844	BT 50	M24	29,1	25	19,6	11,5	65,5	25,5	0,20

## ACCESSORIES

### PULL STUD MAS/BT DRILLED WITH O-RING

 Tirante MAS/BT con agujero pasante y junta tórica

 O-ring ile delikli MAS/BT çekme saplamasi




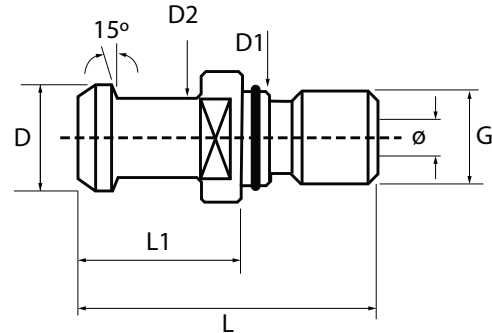
Cod.	ISO	G	α	D	D1	D2	ø	L	L1	Kg
93470.44428	BT 40	M16	60°	15	23	10	4	60	35	0,1
93470.44429	BT 40	M16	45°	15	23	10	4	60	35	0,1
93470.44420	BT 40	M16	90°	15	23	10	4	60	35	0,1
93470.44421	BT 50	M24	60°	23	38	17	6	85	45	0,1
93470.44432	BT 50	M24	45°	23	38	17	6	85	45	0,1
93470.44433	BT 50	M24	90°	23	38	17	6	85	45	0,1

## ACCESSORIES

### PULL STUD DRILLED WITH O-RING ISO 7388-2A

 Tirante con agujero pasante y junta tórica ISO 7388-2A


 O-RING ISO 7388-2A ile delikli çekme saplama



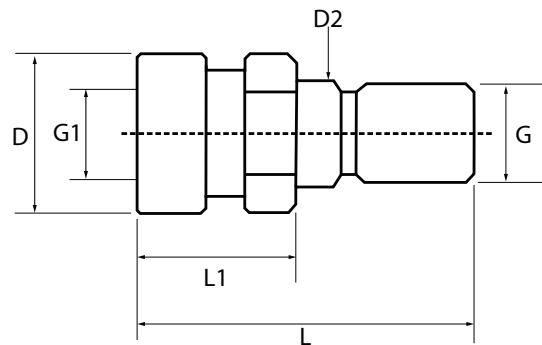
Cod.	ISO	G	$\alpha$	D	D1	D2	$\emptyset$	L	L1	Kg
93470.43845	BT 40	M16	15°	19	17	14	7	54	26	0,15
93470.43846	BT 50	M24	15°	28	25	21	11,5	74	34	0,23

## ACCESSORIES

### PULL STUD OTT DRILLED WITH INTERNAL THREAD DIN 2080

 Tirante OTT con agujero pasante y rosca interior DIN 2080



 DIN 2080 iç dişli delikli ott çekme saplama



Cod.	ISO	G	G1	D	D2	L	L1	Kg
93470-44247	SK 40	M16	M16	25,3	17	53	25	0,1
93470-44246	SK 50	M24	M24	39,6	25	65	25	0,22
93470-44262	BT 40	M16	M16	25,3	17	56	28	0,1

## ACCESSORIES

### WRENCH FOR ER COLLET CHUCKS



-  Llave para portapinzas ER
-  ER collet aynalari için anahtar



Cod.	Type ER	Kg
93660-425222	ER 16	0,6
93660-425223	ER 25	0,7
93660-425224	ER 32	0,8
93660-425225	ER 40	1,0

## ACCESSORIES

### CLAMPING NUT FOR ER COLLET CHUCKS

-  Tuercas para portapinzas ER
-  ER collet aynalari için kelepçe somunu



Cod.	Type ER	D	M	Kg
93620.425227	ER 16	32	M-22x1.50	0,20
93620.425223	ER 25	42	M-32x1.50	0,30
93620.425224	ER 32	50	M-40x1.50	0,35
93620.425225	ER 40	63	M-50x1.50	0,45

# Technical information

## Informacion Técnica

### Material

- Case -hardened and tempered alloy steel
- Surface hardness 58-60 HRC
- Minimum strength in core 900 N/mm<sup>2</sup>

- Taper tolerance
- Grade AT3

### Material

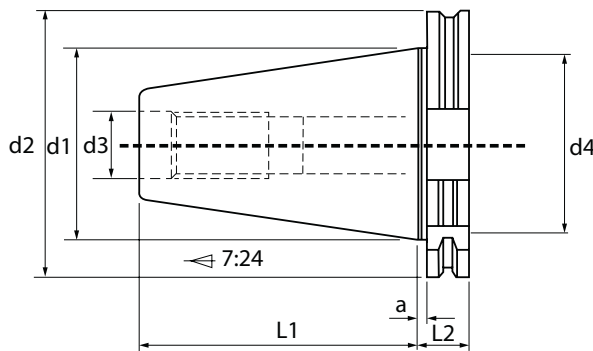
- Acero aleado de cementación, cementado y templado
- Dureza superficial 58-60 HRC
- Resistencia mínima al núcleo 900 N/mm<sup>2</sup>

- Tolerancia cono
- Grado AT3

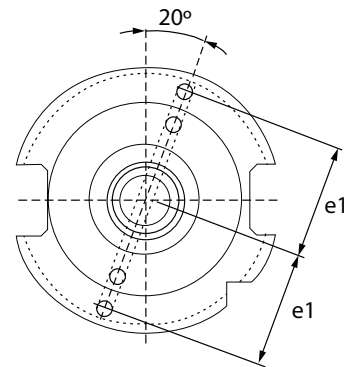
### SK STANDARD DIN 69871

For tool shanks SK in accordance with ISO 7388-1

#### Form AD



#### Form AD+B



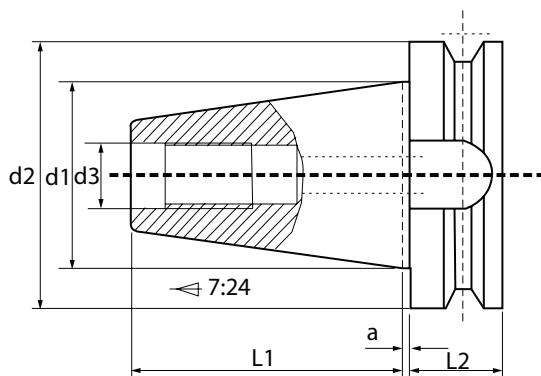
Dimensions in mm

	a +/-0.1	d1	d2+/-0.1	d3	d4 max.	e1 +/-0.1	L1 0/-0.3	L2 0/-0.1
						AD+B		
SK40	3,2	44,45	63,55	M-16	50	27	68,4	19,1
SK50	3,2	69,85	97,5	M-24	80	42	101,75	19,1

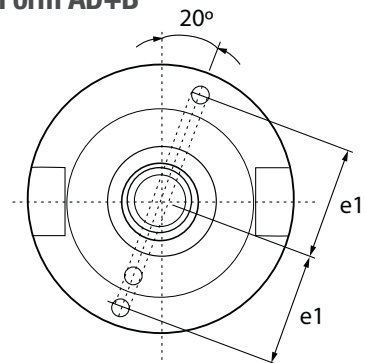
### BT STANDARD JIS BT 6339

For tool shanks BT in accordance with ISO 7388-2

#### Form AD



#### Form AD+B



Dimensions in mm

	a +/-0.4	d1	d2 h8	d3	e1 +/-0.1	L1 +/-0.2	L2 0/-0.1
					AD+B		
BT40	2	44,45	63	M-16	27	65,4	27
BT50	3	68,95	100	M-24	42	101,8	38

# SALES TERMS

## Condiciones de venta

### Payment · Pago

Payment shall be made in accordance with terms and conditions notified to the buyer. In case of non-payment / outstanding payment on the agreed date, we will apply the legal delay interest. *El pago se efectuará de conformidad con los términos y condiciones notificadas al comprador. En caso de impago en la fecha acordada, se devengará el interés legal de demora.*

### Transfer of property · Reserva de dominio

The property of the goods does not pass to the buyer until it has been fully paid. The Company reserves the right to repossess any goods in which payment is overdue and the buyer shall cooperate in the event of the Company notifying its intentions of repossess the goods. *La propiedad de los bienes no se transmitirá al comprador hasta que se haga efectivo por completo su pago. La Empresa se reserva el derecho de tomar posesión de los bienes respecto de los cuales exista mora en el pago.*

### Transport · Transporte

Will be payed by the buyer. *Será a cargo del comprador.*

### Return Policy · Política de devolución

The customer will have 15 days from the reception of the goods to inform HELION TOOLS about any claim of the supplied goods. Beyond that period, the goods will be considered as accepted by the customer. *El cliente dispondrá de un plazo de 15 días a partir de la recepción del producto para enviar a HELION TOOLS cualquier reclamación en relación con el producto suministrado. Después de ese plazo, los productos serán considerados como conformes por el cliente.*

**The claim must be done through:** · *La reclamación deberá realizarse a través de:*

#### Logistics Department · Departamento de logística

logistics@helion-tools.com · +34 93 877 08 69

#### Comercial Department · Departamento comercial

ventas@helion-tools.com · +34 93 877 08 69

#### Export Department · Departamento exportación

export@helion-tools.com · +34 696 789 214

HELION TOOLS is not responsible and reserves the rights to refuse returns if the goods are in bad condition due to improper use or transport damages. *Helion Tools no se hace responsable y se reserva el derecho de rechazar posibles devoluciones en caso de mercancía en mal estado por uso indebido o daños de transporte.*

**\* Material will only be accepted in the following cases:** · *Solo se aceptará devolución de material en los siguientes casos:*

a) The return of non-defective goods, as a rule, will not be accepted. However, in special situations and as an exception, the return will be accepted with previous conformity of HELION TOOLS and always with prior check of the

goods. In these cases, there will be a surcharge of 15% applied of the value of the goods as management and administration expenses. The transportation costs will be at the customer's expense. *La devolución de mercancía no defectuosa como norma no se acepta. Aun así, en casos especiales y como excepción se acepta la devolución, pero siempre con la previa aprobación de HT, y la posterior confirmación una vez recibida la mercancía que reúne los requisitos exigidos. En estos casos de devolución se aplicará un recargo por gastos de gestión y administración del 15% del valor de la mercancía. Los gastos de transporte irán a cargo del comprador.*

b) Defective material at the moment of reception of goods: If the material is defective from origin, it must be informed to Helion Tools and once a return number is assigned, it will be dispatched to HELION TOOLS with its original packaging. No returns will be accepted without the comply of these specifications: original packaging and unused material.

*Material defectuoso al momento de la recepción de este: Si el material está defectuoso de origen, se deberá realizar la comunicación a HT, y una vez asignado el n° de devolución, el producto será enviado a HT con su embalaje original. No se aceptarán devoluciones que no cumplan estos requisitos: embalaje original y sin usar.*

**\* All the returns must go together with the invoice or delivery note.** *Toda devolución debe ir acompañada de la factura o albarán de compra.*

### Delivery · Entrega

Once the purchase order is received, we proceed with the production process to supply the order in the shortest time possible. Then we will not accept cancellations or modifications in purchase orders of special tools manufactured according with the specifications of the customer. *Una vez recibido un pedido, procedemos a la ejecución de este en el plazo más breve posible y a partir de ese momento no se aceptarán cancelaciones ni modificaciones de un pedido que contenga herramientas especiales o fabricadas por petición del cliente.*

### Warranty · Garantía

The warranty of all our products will be established by HELION TOOLS. There is no warranty for products manipulated or modified. The responsibility of HELION TOOLS is limited just to the cost amount of the product and is not liable of neither damages and their consequences, nor losses due to lost profit of the buyer. *La garantía de todos nuestros productos será la establecida por HT. No existe garantía de los productos que hayan sido manipulados o modificados. La responsabilidad de HT queda en todo caso limitada al importe del producto y no se hace responsable de daños y sus consecuencias, ni de pérdidas por lucro cesante del comprador.*

### Jurisdiction · Jurisdicción

In case of dispute, the Customer will be subject to the jurisdiction of the courts of Manresa – Barcelona – Spain. *En caso de litigio, el cliente estará sujeto a la jurisdicción de los tribunales de Manresa – Barcelona – España.*

#### ORDERS | PEDIDOS

EShop | *Tienda en línea*

www.helion.tools/shop

APP IOS / APP ANDROID

Phone | *Teléfono* +34 93 877 08 69

Email: [ventas@helion-tools.com](mailto:ventas@helion-tools.com)

[export@helion-tools.com](mailto:export@helion-tools.com)

#### CUSTOMER SERVICES | SERVICIO AL CLIENTE

Phone | *Teléfono* +34 93 877 08 69

Email: [info@helion-tools.com](mailto:info@helion-tools.com)

#### TECHNICAL QUESTIONS | CONSULTA TÉCNICA

Phone | *Teléfono* +34 93 877 08 69

Email: [technical@helion-tools.com](mailto:technical@helion-tools.com)

# MILL LINE



## 90 HELIRUN

### UNIVERSAL APPLICATION

*APLICACIÓN UNIVERSAL*

- \* Higher productivity  
*Alta productividad*
- \* Steels up to 62 HRC  
*Aceros hasta 62 HRC*
- \* TOP performance  
*Rendimiento superior*
- \* High edge tolerance  
*Alta tolerancia en el filo de corte*



## 91 HELITOP

### EXOTIC MATERIALS HIGH ALLOYED STEELS

*MATERIALES EXÓTICOS Y ACEROS DE ALTA ALEACIÓN*

- \* Latest coating technology  
*Última tecnología en recubrimiento*
- \* Improved geometry  
*Geometría mejorada*
- \* Heat resistance configuration  
*Configuración de resistencia al calor*



## 92 HELIMOTION

### STEELS UP TO 70 HRC

*ACEROS HASTA 70 HRC*

- \* High alloyed steels and hardened materials  
*Aceros aleados y materiales templados*
- \* High speed cutting  
*Alta velocidad de corte*
- \* Super micro substrate  
*Super micro sustrato*
- \* Higher accurate dimensional tolerance  
*Tolerancia dimensional de mayor precisión*





## 93 HELIHARD

### **SUPER HARD WITH CBN**

MATERIALES TEMPLADOS CON CBN

- \* Materials up to 75 HRc  
*Materiales hasta 75 HRc*
- \* High speed cutting in HHC  
*Alta velocidad de corte en mat. templados (HHC)*
- \* Sharp dimensional tolerance  
*Tolerancia dimensional muy precisa*
- \* Very good surface quality  
*Óptima calidad superficial*



## MULTI LINE

### **SELECTION OF TOOLS FOR WIDE RANGE SOLUTIONS**

SELECCIÓN DE HERRAMIENTAS PARA UNA AMPLIA  
GAMA DE SOLUCIONES



## 94 HELIALU

### **ALUMINIUM AND NON FERROUS IN HSC**

ALUMINIO Y MAT. NO FÉRRICOS EN HSC

- \* High speed cutting  
*Corte de alta velocidad*
- \* Improved capacity of chip removal rate  
*Mejora en la capacidad de arranque de viruta*
- \* Coating with lower friction coefficient  
*Recubrimiento con menor coeficiente de fricción*
- \* Aggressive cutting edge  
*Filo de corte agresivo*



## INCH LINE

### **SOLID CARBIDE END MILL INCH SIZES**

FRESAS DE METAL DURO CON MEDIDAS EN PULGADAS



## 96 HELIDIAMOND

### **ABRASIVE MATERIALS**

MATERIALES ABRASIVOS

- \* Diamond coating (CVD)  
*Recubrimiento con diamante (CVD)*
- \* High resistance and performance in front of abrasive materials  
*Alta resistencia y rendimiento frente a materiales abrasivos*



## 89 HELIHSS

### **HIGH PERFORMANCE HSS CUTTING TOOLS**

HERRAMIENTAS DE CORTE HSS DE ALTO RENDIMIENTO

- \* Universal cutter for efficient machining with HSS  
*Cortador universal para mecanizado eficiente con HSS*
- \* Special geometry for longer tool life  
*Geometría especial para la larga vida de la herramienta*
- \* High removal rate with soft cutting  
*Alta capacidad de arranque de viruta con corte suave*



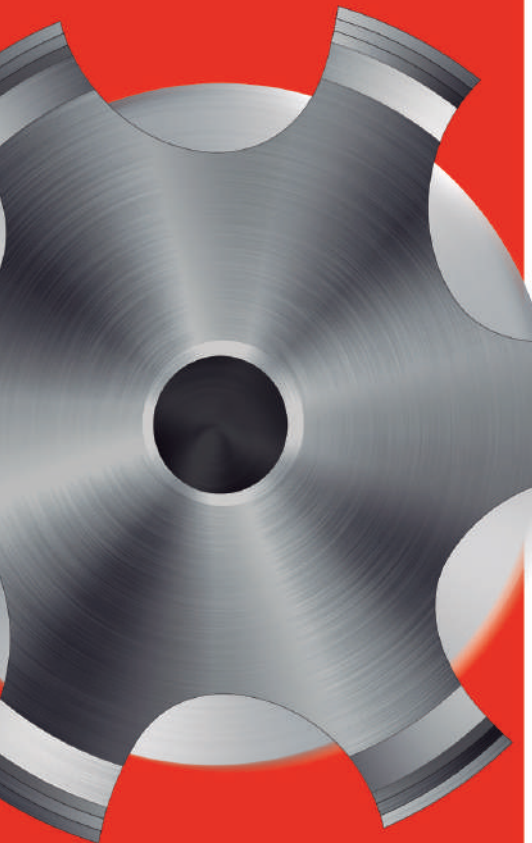
**ASK OUR TECHNICIANS FOR OTHER PRODUCT CATEGORIES**

*Pregunte a nuestros técnicos por otras categorías de producto.*

# DRILL LINE



# THREAD LINE



## **SCDRILLS**

**SOLID CARBIDE TOP  
PERFORMANCE DRILLS**

*BROCAS DE ALTO RENDIMIENTO  
DE METAL DURO*



## **HSSDRILLS**

**HSS DRILLS FOR  
UNIVERSAL PURPOSE**

*BROCAS DE HSS PARA USO  
UNIVERSAL*



## **THREADINGMILL**

**HIGH PRODUCTIVITY AND  
SAFE OPERATION**

*ALTA PRODUCTIVIDAD Y  
OPERACIÓN SEGURA*



## **FORMINGTAP**

**TOP SPEED THREADING**

*ROSCADO DE MÁXIMA  
VELOCIDAD*



## **HSS TAP**

**HIGH PERFORMANCE  
CUTTING TAPS**

*MACHOS DE CORTE DE ALTO  
RENDIMIENTO*



## **SC TAPS**

**MACHINE TAPS FOR  
HARDENED STEELS**

*MACHOS DE MÁQUINA DE METAL  
DURO PARA ACEROS TEMPLADOS*



notes · notas





**HELION TOOLS S.L.U**  
Calle Miquel Servet 37 Nave 13  
Poligono Industrial Bufalvent  
08243 Manresa · Barcelona · Spain  
+34 93 877 08 69 · info@helion-tools.com

[www.helion-tools.com](http://www.helion-tools.com)

WORKING FOR YOUR SUCCESS

@heliontools

